

Answer 1

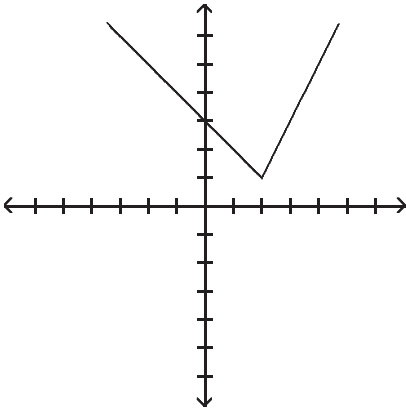
Lesson 1 / AC

B C

Answer 1

Lesson 1 / AC

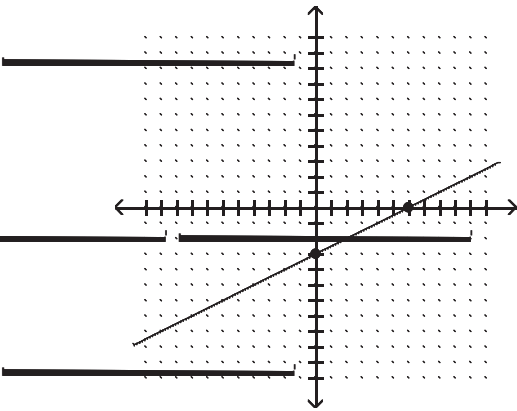
4 (
 4 (
 4 (" 4 (
 % ! \$!! * 7 ! \$!! !
 A**
 @\$



@\$
 A**

4

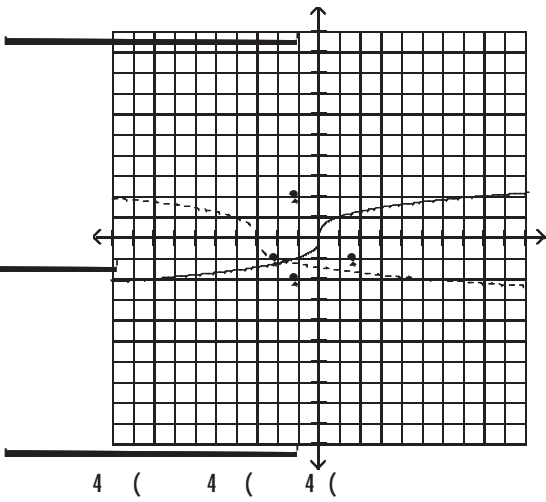
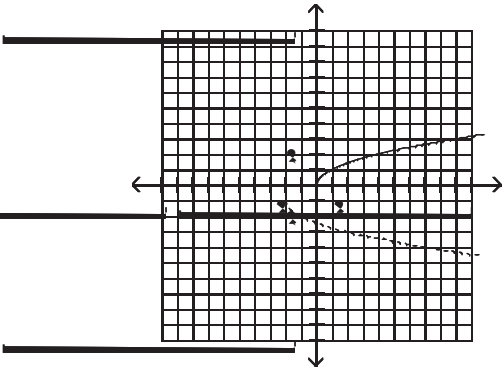
! = 4 ((4 (



--

Answer 1

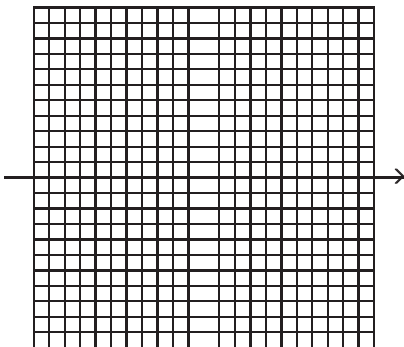
Lesson 1 / AC



4 (4 (4 (

$$\frac{\cdot}{\sqrt{\quad}}$$

% 4 $\sqrt{\quad}$



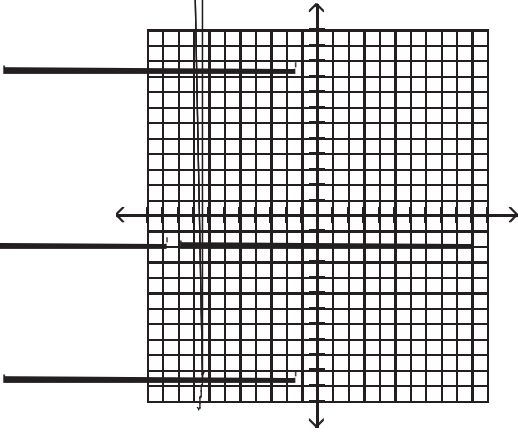
Answer 1

Lesson 1.1 AC

4 (

4 4

4 ((



Answer 1

Lesson 1 / AC

